



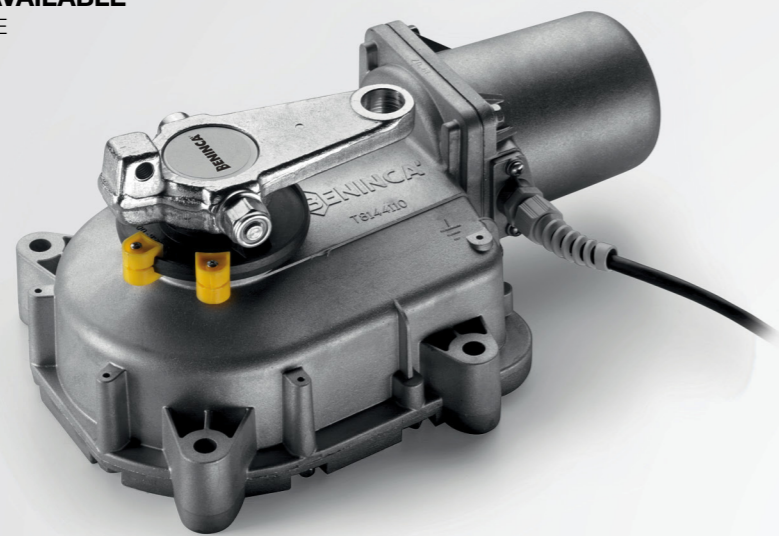
DU.IT14N / DU.IT24NVE

AUTOMATIONS FOR SWINGING GATES UNDERGROUND INSTALLATION

up to 3.5 m

DUIT.BR ACCESSORY AVAILABLE

(FOR THE ADJUSTMENT OF THE MOST FOUNDATION BOXES IN THE MARKET)



CONTROL PANELS:

DU.IT14N — BRAINY HEADY p.112 p.113

DU.IT14NV — BRAINY HEADY p.112 p.113

DU.IT24NVE — BRAINY24 p.122

DESCRIPTION

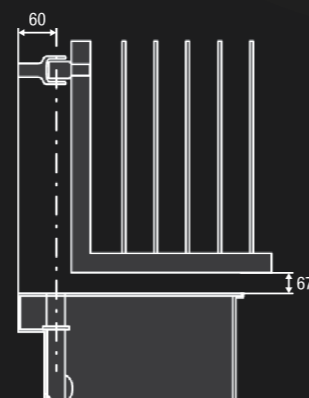
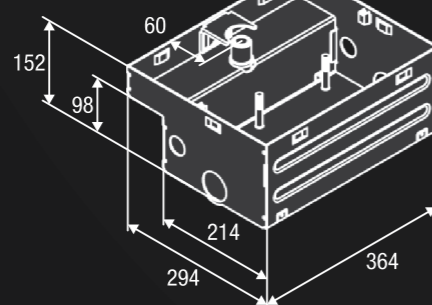
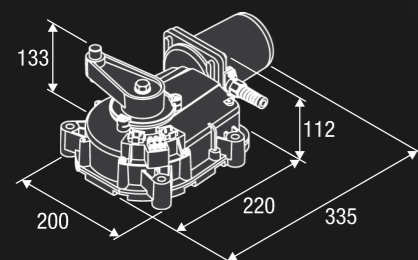
Irreversible electromechanical geared motor available in 230 Vac and 24 Vdc version, with the option of opening to 180°. Full metal mechanics and built-in mechanical stop.

230 Vac

- Irreversible 230 Vac electromechanical geared motor
- Also available in the fast version (DU.IT14NV)

24 Vdc | intensive use

- Irreversible 24 Vdc electromechanical geared motor for intensive use, equipped with encoder
- The encoder device ensures maximum safety and precision in the gate moving phases
- Amperometric sensor obstacle detection system to prevent crushing
- Optional battery powered operation



DU.ITIX
9150039
Self-supporting stainless steel foundation box, max opening of 110°. Comes only with cover, requires an unlocking accessory SB.DUIT.L or SB.DUIT.K.



DU.ITCF
9150043
Self-supporting foundation box with cataphoresis coating, max opening of 110°. Comes only with cover, requires an unlocking accessory SB.DUIT.L or SB.DUIT.K.



SB.DUIT.K
9747101
Unlocking kit consisting of an unlocking system with personalized key and components to connect the motor to the gate. Mechanical stop included.



SB.DUIT.L
9747099
Unlocking kit consisting of an unlocking system with hex key and components to connect the motor to the gate. Mechanical stop included.



SB.DU180.K
9747097
180° release device for DU.IT14N/NV/NVE with personalized key.



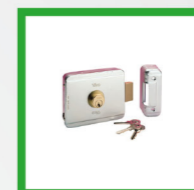
SB.DU180.L
9747098
180° release device for DU.IT14N/NV/NVE with hex key.



DU.ITST
9747083
Adjustable mechanical open stop 75°/80°/85°/90°/95°/100°.



DU.V96
9765035
12 Vac/dc vertical electric lock, supplied with counterplate. Permits internal/external release.



DU.V90
9765030
12 Vac/dc horizontal electric lock, supplied with counterplate. Permits internal/external release.



DU.9990
9623010
Covering plate for DU.V90.



E.LOCK
9765001
230 Vac vertical electric lock, supplied with counterplate.



E.LOCKSE
9765002
Extended cylinder for E.LOCK electric lock. It allows to unlock gates up to 55mm-thick from the outside.



DUIT.BR
595.01
Adaptors for the installation of 2 operators compatible with the most common foundation boxes in the market.



DU.FCN
9567015
Water-proof limit switches device for DU.IT14N/NV/24NVE.



CABLE.24E
9171002
Cable reel with 5 conductors (2 for motor, 3 for encoder) for connecting the encoder device in the 24 Vdc versions.
L = 100 m.



ID.TA
9846019
Warning board.



ESA BASIC
9176108
System that reduces the electrical energy consumption. In the 24 Vdc version, the use of ESA BASIC is not compatible with the battery operation.



KSUN
9611004
KIT for system operation via solar panel. For 24 Vdc models.

MADE IN ITALY

TECHNICAL DATA	DU.IT14N	DU.IT14NV	DU.IT24NVE
Code	9590162	9591278	9591457
Power supply	230 Vac (50-60Hz)	230 Vac (50-60Hz)	230 Vac (50-60Hz)
Motor supply	230 Vac	230 Vac	24 Vdc
Max absorbed current	1.6 A	1.6 A	11 A
Torque	370 Nm	220 Nm	280 Nm
Opening time	22"	11"	15"
Operation cycle	30%	40%	intensive use
Protection level	IP67	IP67	IP67
Operating temperature	-20°C /+50°C	-20°C /+50°C	-20°C /+50°C
Leaf max dimension	3.5 m	2.1 m	3.5 m
Encoder	NO	NO	YES
Weight	11.6 kg	11.6 kg	10 kg
Items no. per pallet	44	44	44
No. of foundation boxes per pallet	32	32	32